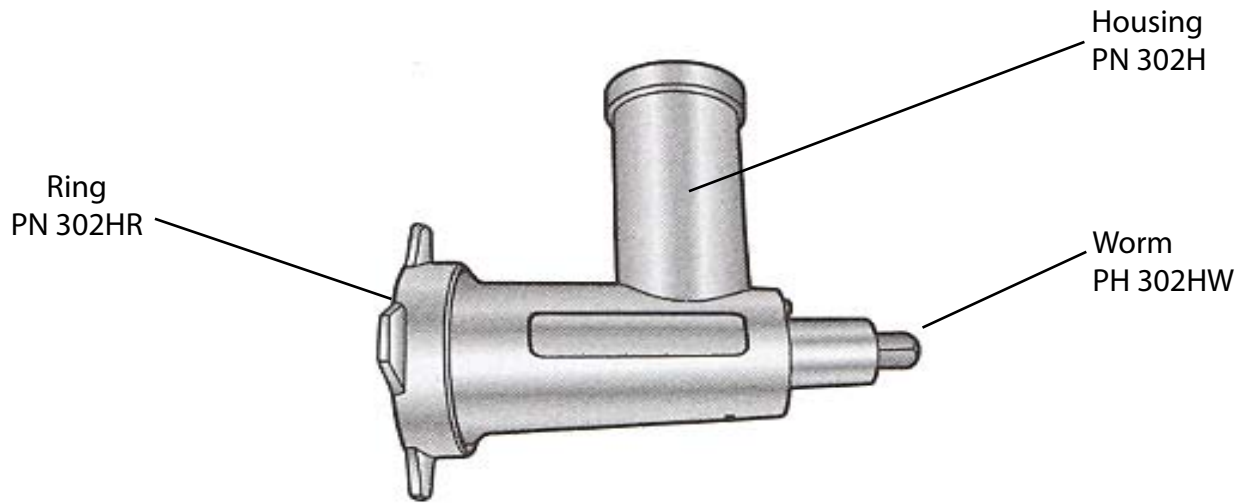
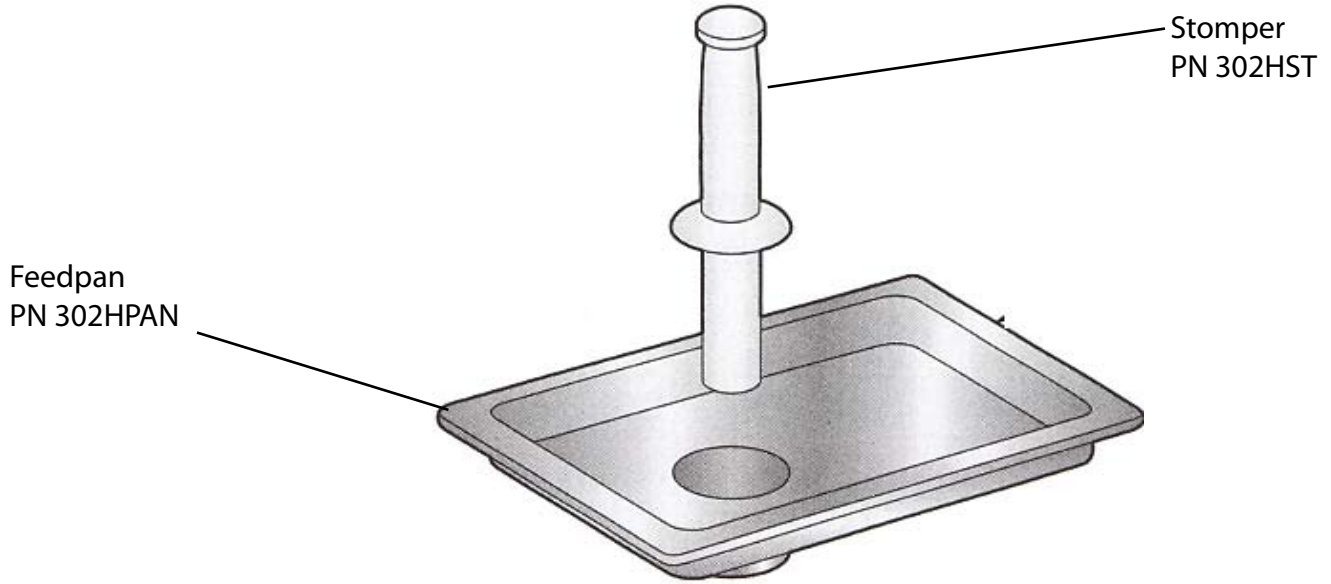


Varimixer



Meat Grinder Model 302



Plates and Knife



Part Number
302/KNIFE

Plate Size	Part Number
1/16	302-1/16
3/32	302-3/32
1/8	302-1/8
5/32	302-5/32
3/16	302-3/16
1/4	302-1/4
5/16	302-5/16
3/8	302-3/8
1/2	302-1/2
5/8	302-1/2
3/4	302-3/4