

Height = 76.8"

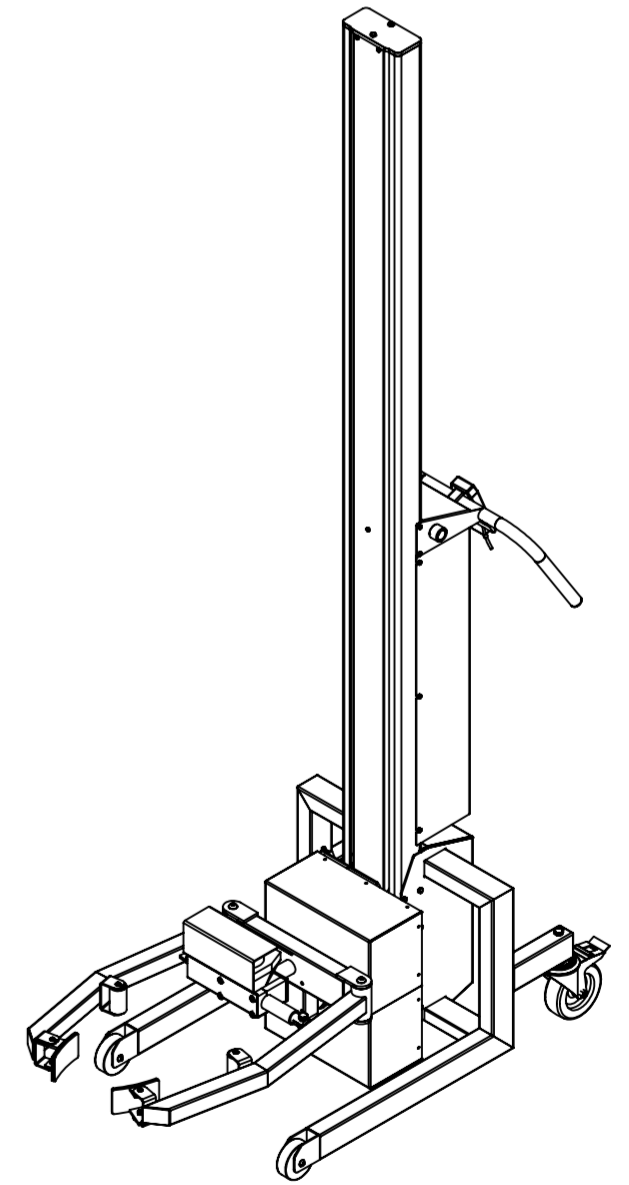
B=	
30 Qt	59.5"
40 Qt	56.9"
60 Qt	54.9"
80 Qt	55.3"

C=	
30 Qt	59.8"
40 Qt	59.3"
60 Qt	58.3"
80 Qt	57"

Height = 94.5"

B=	
30 Qt	76.4"
40 Qt	73.6"
60 Qt	72"
80 Qt	72.3"

C=	
30 Qt	76.8"
40 Qt	76"
60 Qt	75.2"
80 Qt	74"



UNLESS OTHERWISE SPECIFIED: DIMENSIONS ARE IN MILLIMETERS AND WITH TOLERANCES AFTER D5/ISO 2768-1 MIDDLE		FINISH: EP	DEBUR AND BREAK SHARP EDGES	DO NOT SCALE DRAWING	Version: 1																																													
<table border="1"> <thead> <tr> <th>REVISION</th> <th>NAME</th> <th>LOCATION</th> <th>DATE</th> <th>TITLE</th> </tr> </thead> <tbody> <tr><td>2</td><td></td><td></td><td></td><td></td></tr> <tr><td>3</td><td></td><td></td><td></td><td></td></tr> <tr><td>4</td><td></td><td></td><td></td><td></td></tr> <tr><td>5</td><td></td><td></td><td></td><td></td></tr> <tr><td>6</td><td></td><td></td><td></td><td></td></tr> <tr><td>7</td><td></td><td></td><td></td><td></td></tr> <tr><td>8</td><td></td><td></td><td></td><td></td></tr> <tr><td>9</td><td></td><td></td><td></td><td></td></tr> </tbody> </table>				REVISION	NAME	LOCATION	DATE	TITLE	2					3					4					5					6					7					8					9					HOVMAND	
				REVISION	NAME	LOCATION	DATE	TITLE																																										
2																																																		
3																																																		
4																																																		
5																																																		
6																																																		
7																																																		
8																																																		
9																																																		
				INOX Flex H																																														
				Impact																																														
MATERIAL: SS			DWG NO. 140601000001	A2																																														
WEIGHT: 123.80 Kg			DRAWN BY: LL DATE: 14.03.03		1:20																																													
			SHEET 1 OF 1																																															