



V30K - KODIAK Food Mixer - 30 Quart Mixer

Project _____

Item Number _____

Quantity _____



ETL listed
Conforms to UL Std 763
Certified to CSA Std C22.2 No.195

Standard Features

- Powerful 1.6 hp motor
- Variable Speed Drive with wide agitator speed range from 64 rpm to 353 rpm
- Stainless steel frame.
- Removable bowl screen in polycarbonat, foodgrade quality. Integrated filling chute
- Tilted control panel with timer, automatic speed regulation and emergency stop
- Four height adjustable legs
- High bowl trolley - mixing, transporting and portioning is carried out in ergonomic height
- High torque transmission. Grease lubricated, anti friction ball bearings.
- Permanently lubricated planetary head and attachment hub case
- Locking pin on tools instead of shaft.
- Safety cut-switch automatically turns the mixer off if bowl screen is tilted or bowl is lowered.
- Overload protection and no voltage release
- 6 foot cord
- ETL and NSF listed
- Attachment hub with 57 - 314 rpm speed

Standard Accessories:

- Bowl trolley with five castors

Optional Accessories:

- 30 quart bowl - Stainless steel
- Flat beater - Stainless steel
- Wire whip - stainless steel wires
- Dough hook - stainless steel
- 15 quart bowl and accessories
- Bowl scraper in 30 quart and 15 quart sizes

Optional Attachments:

- Food slicer
- Meat grinder

Warranty:

One year parts and labor limited warranty

Approved By: _____

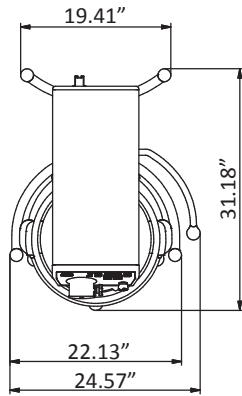
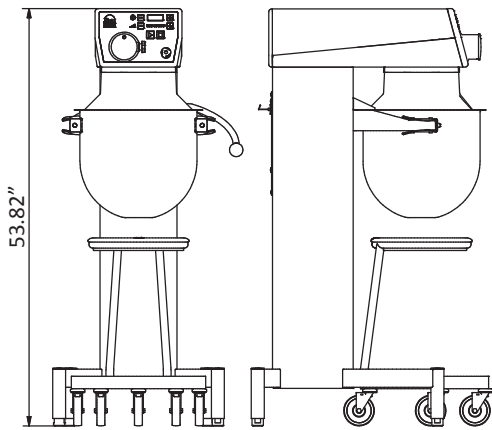
Date _____

 **Varimixer**
www.varimixerusa.com

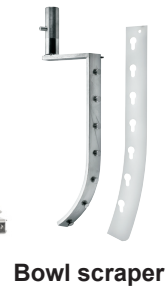
14240 South Lakes Drive
Charlotte, NC 28273
Phone: 800-222-1138
Fax: 704-583-1703
mixer@varimixerusa.com



V30K - KODIAK Food Mixer - 30 Quart Mixer



Bowl truck



Bowl scraper



Food slicer 312GS



Meat grinder 302

Specifications

Model No.	Capacity	Overall size			Net. weight
		Height H	Width W	Length L	
V30K	Large bowl 30-qt. Small bowl 15-qt.	53.82" (136.7 cm)	24.57" (62.4 cm)	31.18" (79.2 cm)	254 lbs. (115.2 kg)

Shipping information

Class	CU. FT.	Dimensions			Weight
		Height	Width	Length	
85	29	61.42" (156 cm)	26" (66 cm)	31.5" (80 cm)	320 lbs. (145.1 kg)

Cord & Plug	Attached 6 foot flexible 3-wire cord		
Electrical Data for Motor	Motor	Volts	Amp
Standard	1.6 HP	115/60/1	9.5
Standard	1.6 HP	208/60/1	4.2
Optional	1.6 HP	230/60/1	4.3
On the nominal motor voltage, + or - 10% tolerance is allowed.			
Mixing Speed			
Agitator Speed	Min	Max	Hub
	64	353	57 - 314

Capacity Chart

Egg white.....Whip	3 Qts.
Mayonnaise.....Whip	21 Qts.
Bread Dough (60% AR).....Hook	29 lbs.
Meatball mixture.....Beater.....	44 lbs.

$$\%AR = \frac{\text{weight of water}}{\text{weight of flour}} \times 100$$

Batch size and/or speed reduction is required if any of the following conditions exist.

1. High Gluten Flour
2. AR % under 40%
3. Water Temperature under 65 Degrees F.

 **Varimixer**
www.varimixerusa.com

14240 South Lakes Drive
Charlotte, NC 28273
Phone: 800-222-1138
Fax: 704-583-1703
mixer@varimixerusa.com