

## FlexLift INOX

Heavy bowl lifting solutions for operator labor savings and higher productivity



### MODELS

- VLIFT-FM** 30-80 qt. Bowl Lift, 76.75" H
- VLIFT-FH** 30-80 qt. Bowl Lift, 94.5" H

### STANDARD FEATURES

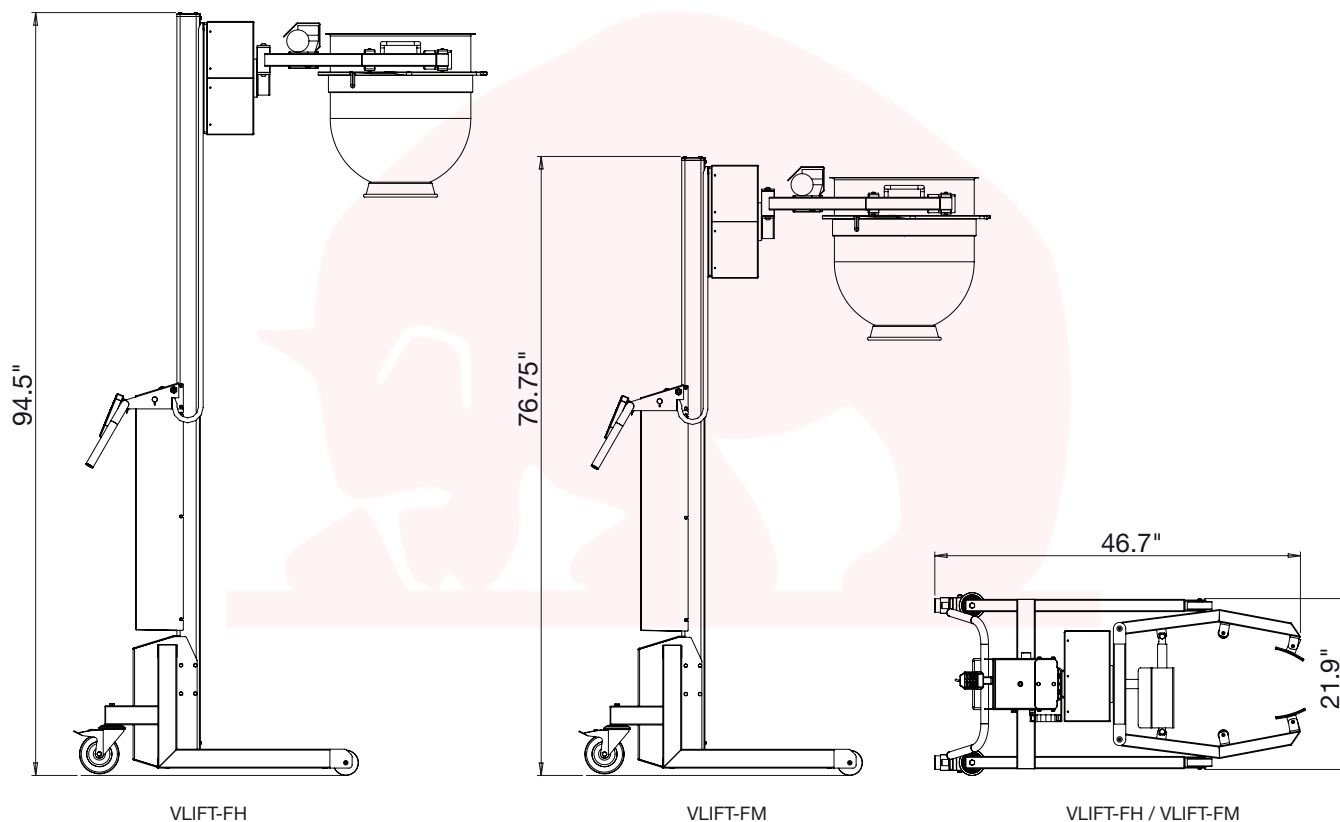
- Lifts mixer bowls from 30 to 80 qt. capacities
- Maximum load capacity 176 lbs.
- Two mast height options: 76.75" or 94.5" height
- Sideways bowl rotation
- Strong, stainless steel construction 8-hour charge to 100% with 1-5 hour partial charge and green indicator light
- Lifting and lowering is done electrically and is operated from a remote control
- Bowl is lifted directly out of the mixer and driven to workstation at appropriate working height for easy handling
- Can be parked under a table when not in use for easy storage
- Made in Denmark

### STANDARD ACCESSORIES

- Charger & cable set

### WARRANTY

- Two-year parts and labor warranty



SPECIFICATIONS								
Model	Max Load	Battery	Amp	Charger	Charge Time	Vibration Strength	Sound Pressure	IP Rating
VLIFT-FM	176 lbs.	24V, 18Ah	12.4	230V, 2 Amps	8 hrs.	≤ 2.5 m/s <sup>2</sup>	≤ 70 Db(A)	IP66
VLIFT-FH	176 lbs.	24V, 18Ah	12.4	230V, 2 Amps	8 hrs.	≤ 2.5 m/s <sup>2</sup>	≤ 70 Db(A)	IP66

DIMENSIONS   SHIPPING INFORMATION					
<i>Reinforced carton for shipping. This product ships on a pallet. See dimensions below.</i>					
Model	Overall Dimensions	Net Wt.	Shipping Dimensions	Ship Wt.	Freight Class
VLIFT-FM	21.9" W x 46.7" D x 76.75" H (55.6 cm x 118.6 cm x 194.9cm)	165.3 lbs. (75 kg)	31.5" W x 47.2" D x 84.6" H (80 cm x 120 cm x 215 cm)	187.4 lbs. (85 kg)	85
VLIFT-FH	21.9" W x 46.7" D x 94.5" H (55.6 cm x 118.6 cm x 240 cm)	174.2 lbs. (79 kg)	31.5" 98.4 W x" D x 57.1" H (80 cm x 250 cm x 145 cm)	229.3 lbs. (104 kg)	85

FlexLift INOX compatible with mixer bowls from 30 to 80 qt. capacities with maximum load capacity 176 lbs. Battery powered with overload protection and safety clutch. Remote controlled lifting, lowering and rotating functions. Bowl is lifted directly out of the mixer and driven to workstation at appropriate working height for easy handling. Stainless steel construction. Can be parked under a table when not in use for simple storage. Two-year parts & labor warranty.