

FlexLift Bowl Lift

Heavy bowl lifting solutions for operator labor savings and higher productivity



MODELS

VLIFT-FH 30-80 qt. Bowl Lift, 94.5" H

STANDARD FEATURES

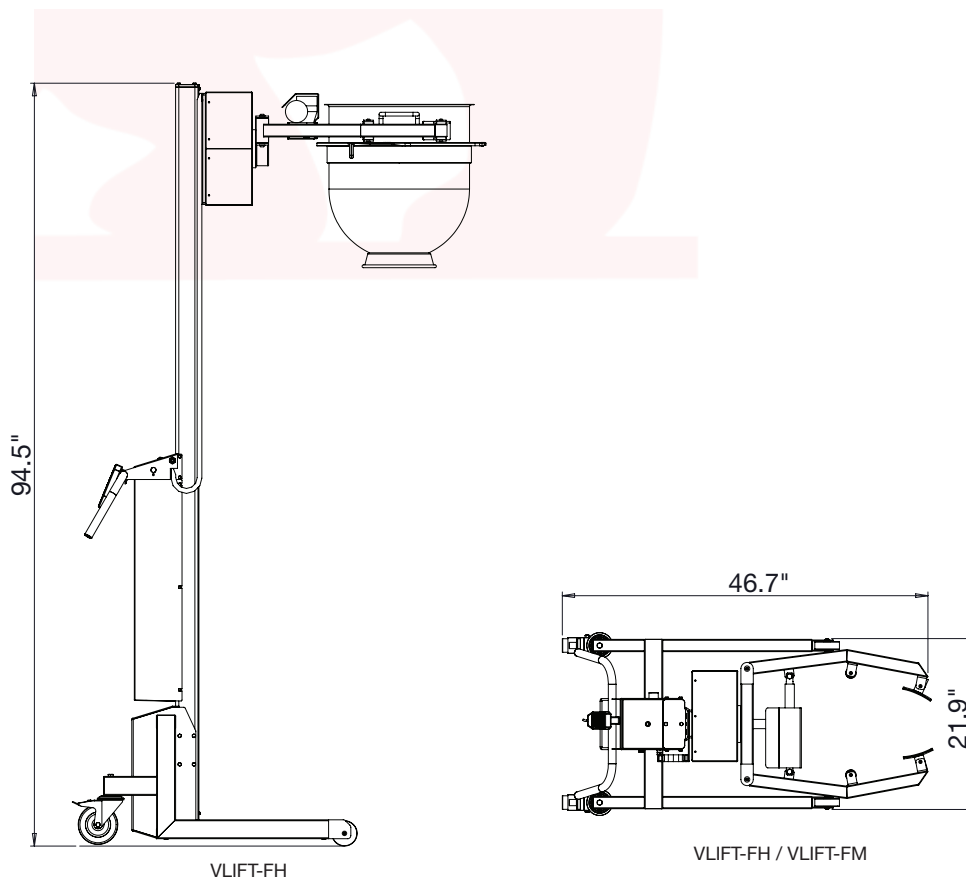
- Lifts mixer bowls from 30 to 80 qt. capacities
- Maximum load capacity 176 lbs.
- Sideways bowl rotation
- Strong, stainless steel construction 8-hour charge to 100% with 1-5 hour partial charge and green indicator light
- Lifting and lowering is done electrically and is operated from a remote control
- Bowl is lifted directly out of the mixer and driven to workstation at appropriate working height for easy handling
- Can be parked under a table when not in use for easy storage
- Made in Denmark

STANDARD ACCESSORIES

- Charger & cable set

WARRANTY

- Two-year parts and labor warranty



SPECIFICATIONS

| Model | Max Load | Battery | Amp | Charger | Charge Time | Vibration Strength | Sound Pressure | IP Rating |
|----------|----------|-----------|------|--------------|-------------|------------------------|----------------|-----------|
| VLIFT-FH | 176 lbs. | 24V, 18Ah | 12.4 | 230V, 2 Amps | 8 hrs. | ≤ 2.5 m/s ² | ≤ 70 Db(A) | IP66 |

DIMENSIONS | SHIPPING INFORMATION

Reinforced carton for shipping. This product ships on a pallet. See dimensions below.

| Model | Overall Dimensions | Net Wt. | Shipping Dimensions | Ship Wt. | Freight Class |
|----------|--|-----------------------|--|------------------------|---------------|
| VLIFT-FH | 21.9" W x 46.7" D x 94.5" H (55.6 cm x 118.6 cm x 240 cm) | 174.2 lbs. (79 kg) | 31.5" 98.4 W x" D x 57.1" H (80 cm x 250 cm x 145 cm) | 229.3 lbs. (104 kg) | 85 |

FlexLift compatible with mixer bowls from 30 to 80 qt. capacities with maximum load capacity 176 lbs. Battery powered with overload protection and safety clutch. Remote controlled lifting, lowering and rotating functions. Bowl is lifted directly out of the mixer and driven to workstation at appropriate working height for easy handling. Stainless steel construction. Can be parked under a table when not in use for simple storage. Two-year parts & labor warranty.