

MaxiLift Bowl Lift

Heavy bowl lifting solutions for operator labor savings and higher productivity



MODELS

- VLIFT-M100H** 100 qt. Bowl Lift, 94.5" H, 243 lb. capacity
- VLIFT-M150H** 150 qt. Bowl Lift, 94.5" H, 309 lb. capacity

STANDARD FEATURES

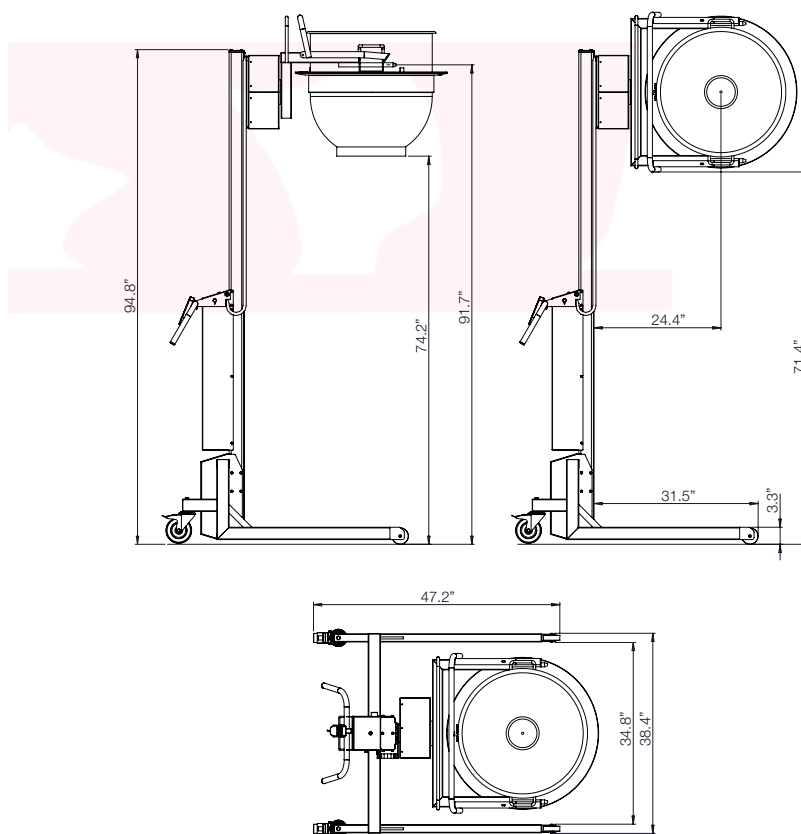
- Lifts mixer bowls from 100 to 150 qt. capacities
- 180 degree bowl rotation
- Strong, stainless steel construction 8-hour charge to 100% with 1-5 hour partial charge and green indicator light
- Lifting and lowering is done electrically and is operated from a remote control
- Bowl is lifted directly out of the mixer and driven to workstation at appropriate working height for easy handling
- Can be parked under a table when not in use for easy storage
- For use with bracketed bowl
- Made in Denmark

STANDARD ACCESSORIES

- Charger & cable set

WARRANTY

- Two-year parts and labor warranty



VLIFT-M100H | VLIFT-M150H

SPECIFICATIONS

Model	Max Load	Battery	Amp	Charger	Charge Time	Vibration Strength	Sound Pressure	IP Rating
VLIFT-M100H	243 lbs.	24V, 18Ah		230V, 3 Amps	8 hrs.	≤ 2.5 m/s ²	≤ 70 Db(A)	IP66
VLIFT-M150H	309 lbs.	24V, 18Ah		230V, 3 Amps	8 hrs.	≤ 2.5 m/s ²	≤ 70 Db(A)	IP66

DIMENSIONS | SHIPPING INFORMATION

Reinforced carton for shipping. This product ships on a pallet. See dimensions below.

Model	Overall Dimensions	Net Wt.	Shipping Dimensions	Ship Wt.	Freight Class
VLIFT-M100H	38.38" W x 47.2" D x 94.8" H (97.5 cm x 120 cm x 241 cm)	174.2 lbs. (79 kg)	39.3" W x 98.4" D x 84.6" H (100 cm x 250 cm x 145 cm)	229.3 lbs. (104 kg)	85
VLIFT-M150H			39.3" W x 98.4" D x 57.1" H (100 cm x 250 cm x 145 cm)	251.3 lbs. (114 kg)	85

MaxiLift compatible with mixer bowls from 100 to 150 qt. capacities. Battery powered with overload protection and safety clutch. Remote controlled lifting, lowering and rotating functions. Bowl is lifted directly out of the mixer and driven to workstation at appropriate working height for easy handling. Stainless steel construction. Can be parked under a table when not in use for simple storage. Two-year parts & labor warranty.