



Project Name: \_\_\_\_\_ AIA#: \_\_\_\_\_

Model #: \_\_\_\_\_ Location: \_\_\_\_\_

SIS#: \_\_\_\_\_ Item #: \_\_\_\_\_ Quantity: \_\_\_\_\_

# Teddy 5 Qt. Mixers

Sleek, compact design with powerful and quiet operation.



V5-R



V5-B



V5-S



V5-W

## MODELS

- V5-R** 5 qt. Red
- V5-B** 5 qt. Black
- V5-S** 5 qt. Silver
- V5-W** 5 qt. White

## STANDARD FEATURES

- Powerful yet whisper-quiet .4 HP motor
- Variable speed drive with wide agitator speed range from 78 RPM to 422 RPMs
- Stainless steel bowl guard
- Bowl clamp securely holds bowl in place
- Aluminum frame with powder coated finish in red, black, silver or white
- Operated by either of two rotary knobs – one on each side
- Removable foodgrade polycarbonate bowl screen
- High torque, direct drive transmission
- Grease lubricated, anti-friction ball bearings
- Permanently lubricated planetary head
- Interlock automatically turns mixer off if mixer head is tilted
- Overload protection and no voltage release
- Provisions for bolting to counter or table
- NEMA 5-15P plug and 6 ft. cord
- ETL and NSF listed

## STANDARD ACCESSORIES

- Stainless steel dough hook
- Stainless steel wire whip
- Stainless steel flat beater
- Stainless steel bowl
- Ingredient chute
- Polycarbonate bowl shield

## OPTIONAL ACCESSORIES

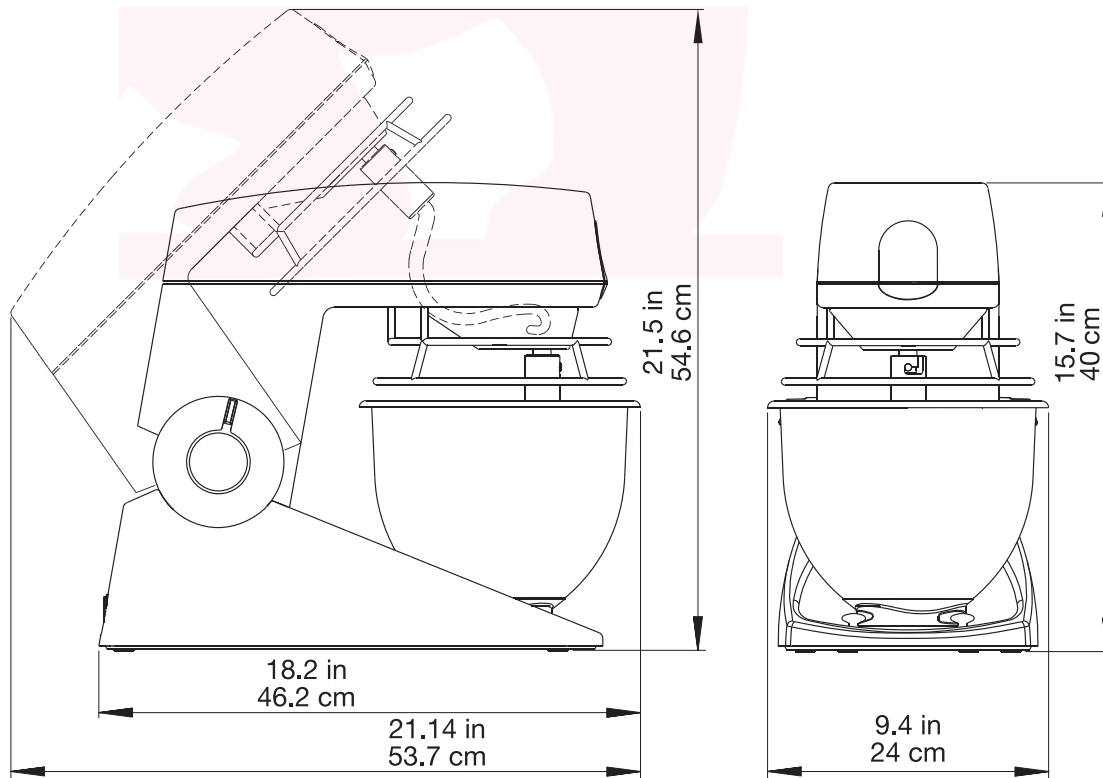
- Plastic bowl lid

## WARRANTY

- One-year parts & labor limited warranty



Approved by: \_\_\_\_\_  
Date: \_\_\_\_\_



SPECIFICATIONS						
Model	Motor	Volts	Amp	Plug Type	Mixing Speeds	IP Rating
V5	.4 HP	120/60/1	3.0	NEMA 5-15P ⚡	78 - 422 RPMs	42

Other voltages upon request with 6 to 8 week lead time.

DIMENSIONS   SHIPPING INFORMATION					
<i>Reinforced carton for shipping. This product ships as a box parcel. See dimensions below.</i>					
Model	Overall Dimensions	Net Wt.	Shipping Dimensions	Ship Wt.	Freight Class
V5	9.5" W x 21.66" D x 15.75" H (24.13 cm x 54 cm x 40 cm)	40 lbs. (18 kg)	11.875" W x 19.75" D x 19.75" H (30 cm x 50 cm x 50 cm)	44 lbs. (20 kg)	85 25 CU ft.

**STANDARD/OPTIONAL ACCESSORIES**

- VBOWL-5 5 qt. bowl
- VHOOK-05 Dough hook
- VWHIP-05 Wire whip
- VBEAT-05SS Stainless steel flat beater
- VRING-05 Bowl shield
- VCHUTE-05 Ingredient chute
- VBLID-05 Bowl lid

Product	Attachment	Capacity
Egg Whites	Whip	.37 qts
Whipped Cream	Whip	1.5 qts.
Buttercream Frosting	Whip	2.6 qts.
Mashed Potatoes	Beater	4.4 lbs
Cake Batter	Beater	5.5 lbs.
Dough (50% AR)	Hook	5.5 lbs.
Dough (60% AR)	Hook	5.5 lbs.
Dough (70% AR)	Hook	6.5 lbs.

Sleek aluminum, powder coated 5 qt. mixer with .4 HP motor. Variable speed drive from 78 to 422 RPMs. Permanently lubricated planetary head. Interlocked tilting head, overload protection and no volt release offer operator protection. 6 ft. cord and NEMA 5-15P plug. Provisions for bolting to counter or table. cETLus and NSF listed. Backed by 1-year parts and labor limited warranty.