

## V-Series 30 Qt. Mixer

The kitchen workhorse, for a wide range of heavy-duty mixing applications.



### MODELS

- V30** 30 qt. Floor

### STANDARD FEATURES

- Stainless steel top cover, planetary cover, bayonet shaft, bowl guard and legs
- IP32 rated
- Powerful 2 HP motor with variable speed drive and wide agitator speed range from 57 RPM to 311 RPMs
- #12 attachment hub with 198 RPM speed
- No bowl adapters needed to downsize bowls
- Hydraulic damper for easier bowl lowering, and single lever manually raises bowl and locks into position
- Front-mounted controls with 90-minute digital timer and emergency stop
- Durable powder coated finish used on legs and outside surfaces not constructed of stainless steel
- High torque transmission
- Permanently lubricated planetary head and attachment hub case
- Grease lubricated, anti-friction ball bearings
- Locking pin on tools instead of shaft
- Patent-pending interlock automatically turns the mixer off if bowl guard is opened or bowl is lowered
- Overload protection and no voltage release
- Non-skid rubber feet
- 6 foot cord
- cETLus and NSF listed
- Made in Denmark

### STANDARD ACCESSORIES

- **VHOOK-30** – Stainless steel dough hook
- **VWHIP-30** – Stainless steel wire whip
- **VBEAT-30SS** – Stainless steel flat beater
- **VBOWL-30** – Stainless steel bowl
- **VCHUTE-30** – Stainless steel ingredient chute

### WARRANTY

- **NEW!** Four-year parts & labor limited warranty

### OPTIONAL ACCESSORIES/ATTACHMENTS

- 16 qt. bowl and accessories
- Bowl scraper - 16 qt. or 30 qt. options
- Bowl truck
- Correctional, Marine and Stainless steel models

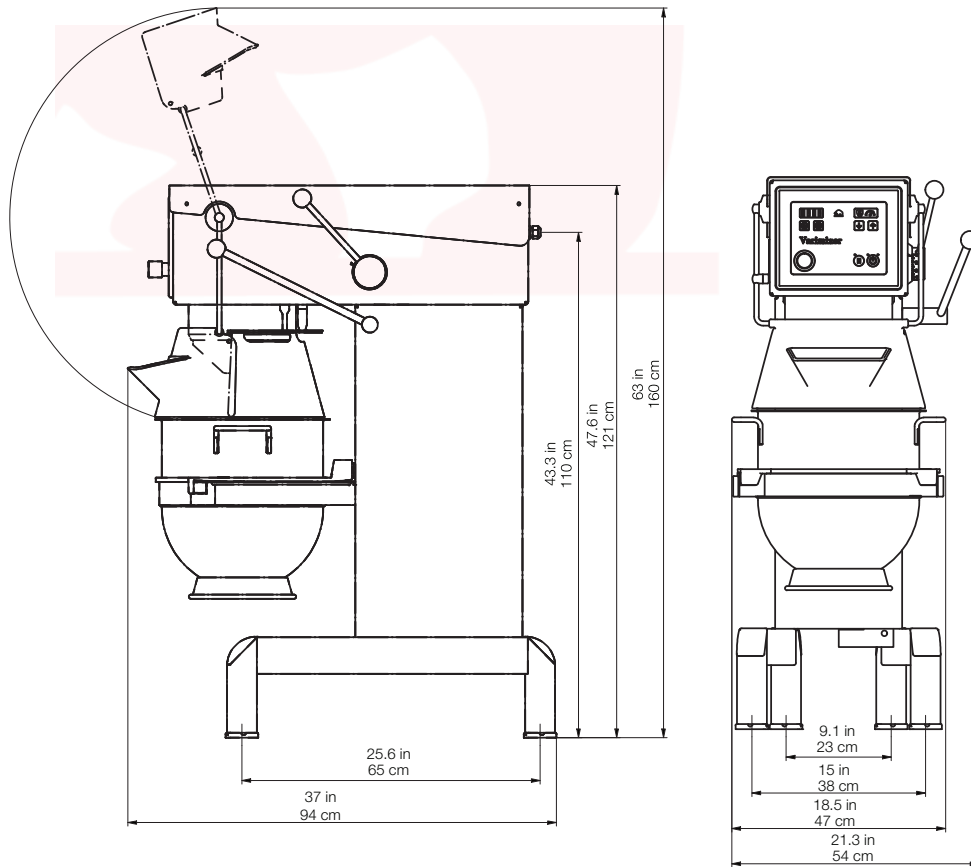
**To select options see back**



ETL listed  
Conforms to UL Std 763  
Certified to CSA Std C22.2 No. 195

Approved by: \_\_\_\_\_

Date: \_\_\_\_\_



## SPECIFICATIONS

Model	Motor	Volts	Amp	Plug Type	Mixing Speeds	Hub Speeds	IP Rating
V30	2 HP	120/60/1	20	--	57 - 311 RPMs	198 RPMs	IP32

Delivered without plug. Other voltages upon request with 6 to 8 week lead time.

## DIMENSIONS | SHIPPING INFORMATION

Reinforced carton for shipping. This product ships on a pallet. See dimensions below.

Model	Overall Dimensions	Net Wt.	Shipping Dimensions	Ship Wt.	Freight Class
V30	21.2" W x 37" D x 47.63" H (54 cm x 94 cm x 121 cm)	374.8 lbs. (170 kg)	42.5" W x 27" D x 54" H (108 cm x 68.6 cm x 137.2 cm)	452 lbs. (205 kg)	70 55 CU ft.

## OPTIONAL/ADDITIONAL ACCESSORIES

- VBOWL16-30 16 qt. bowl
- VHOOK16-30 16 qt. hook
- VWHIP16-30 wire whip
- VBEAT16-30 16 qt. flat beater
- VSCRIP16-30 16 qt. scraper
- VSCRIP-30 30 qt. scraper
- VHDWHIP-30 30 qt. heavy-duty whip
- VWINGWHIP-30 30 qt. wing whip
- VBTRUCK-30 30 qt. bowl truck
- VBTRUCK16-30 16 qt. bowl truck
- XMCA-SS Meat grinder hub assembly
- XSVGH-XSP Housing & slicer hub assembly
- L00783 Strip cutter attachment
- L00670 Meat tenderizer attachment

Product	Attachment	Capacity
Egg Whites	Whip	1.6 qts.
Whipped Cream	Whip	6.3 qts.
Buttercream Frosting	Whip	12.6 qts.
Mashed Potatoes	Beater	35.3 lbs.
Cake Batter	Beater	33.1 lbs.
Dough (50% AR)	Hook	33.1 lbs.
Dough (60% AR)	Hook	44.1 lbs.
Dough (70% AR)	Hook	39.7 lbs.

Heavy-duty 30 qt. mixer with 2 HP motor, high-torque transmission and variable speed drive from 57 to 311 RPMs. IP32 rated. Mixer has front-mounted control panel with timer and emergency stop. Mixer has grease lubricated, anti-friction ball bearings and permanently lubricated planetary head & attachment hub case. Overload protection, interlocked bowl and bowl guard and no volt release. cETLus and NSF listed. Four-year parts & labor limited warranty.