

V-Series 60 Qt. Mixer

The kitchen workhorse, for a wide range of heavy-duty mixing applications.



V60

MODELS

- V60** 60 qt. Standard **V60PL** 60 qt. Power Lift

STANDARD FEATURES

- Stainless steel top cover, planetary cover, bayonet shaft, bowl guard and legs
- IP32 rated
- Powerful 3 HP motor with variable speed drive and agitator speed range from 53 RPMs to 288 RPMs
- #12 attachment hub with 198 RPM speed
- No bowl adapters required for down-sizing bowls
- Hydraulic damper for easier bowl lowering, and single lever manually raises bowl and locks into position (V60)
- Front-mounted controls with 90-minute digital timer and emergency stop
- Power bowl lift (V60PL only)
- Durable powder coated finish on legs and outer surfaces not constructed of stainless steel
- High torque transmission
- Permanently lubricated planetary head & attachment hub case
- Bowl scraper bracket affixes to planetary head
- Grease lubricated, anti-friction ball bearings
- Patent-pending interlock prevents operation if guard is opened or bowl is lowered
- Overload protection and no volt release
- Non-skid rubber feet
- 6 foot cord
- ETL and NSF listed
- Made in Denmark

STANDARD ACCESSORIES

- **VBOWL-60** – Stainless steel bowl
- **VBEAT-60SS** – Stainless steel flat beate
- **VWHIP-60** – Stainless steel wire whip
- **VHOOK-60** – Stainless steel dough hook
- **VCHUTE-60** – Stainless steel ingredient chute

WARRANTY

- **NEW!** Four-year parts & labor limited warranty

OPTIONAL ACCESSORIES/ATTACHMENTS

- 30 qt. bowl and attachments
- Bowl scraper - 30 qt. or 60 qt. options
- Bowl truck
- Stainless steel and Marine models

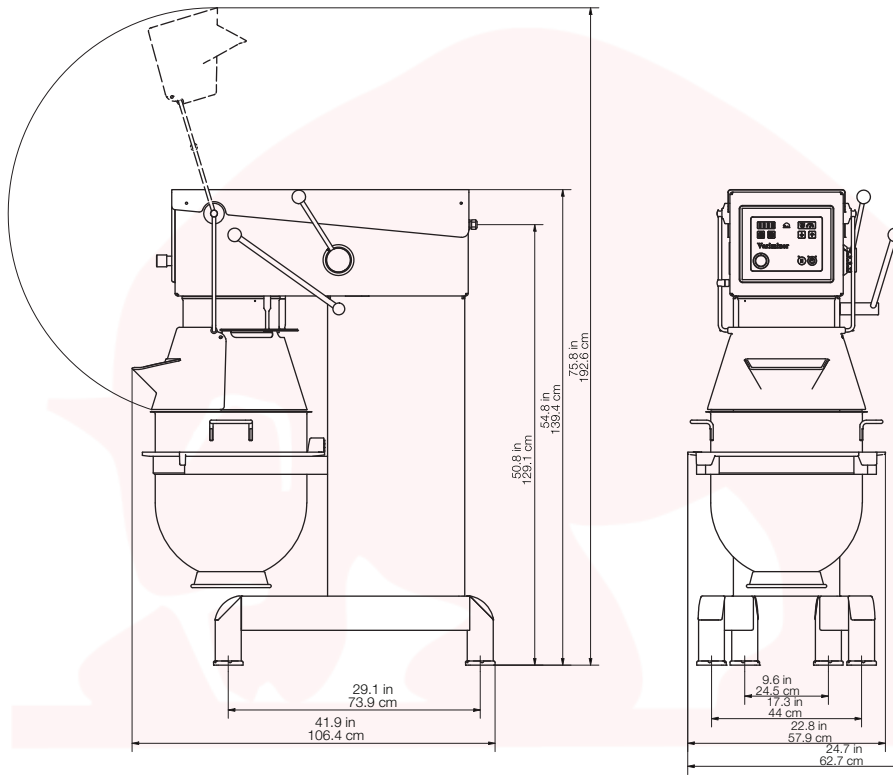
To select options see back

Approved by: _____

Date: _____



ETL listed
Conforms to UL Std 763
Certified to CSA Std C22.2 No. 195



SPECIFICATIONS

Model	Motor	Volts	Amp	Plug Type	Mixing Speeds	Hub Speeds	IP Rating
V60	3 HP	208/60/1	14	--	53 - 288 RPMs	198 RPMs	IP32
V60PL	3 HP	208/60/3	9.5	--	53 - 288 RPMs	198 RPMs	IP32

Delivered without plug. Specify voltage when ordering.

DIMENSIONS | SHIPPING INFORMATION

Reinforced carton for shipping. This product ships on a pallet. See dimensions below.

Model	Overall Dimensions	Net Wt.	Shipping Dimensions	Ship Wt.	Freight Class
V60 / V60PL	25.5" W x 40.5" D x 55.625" H (64.77 cm x 102.8 cm x 141.29 cm)	606 lbs. (275 kg)	42.5" W x 27" D x 61.4" H (108 cm x 68.6 cm x 156 cm)	650 lbs. (294.8 kg)	70 64 CU ft.

OPTIONAL/ADDITIONAL ACCESSORIES

- VBTRUCK-60 60 qt. bowl truck
- VBTRUCK30-60 30 qt. bowl truck
- VWINGWHIP-60 60 qt. wire whip
- VHDWHIP-60 60 qt. heavy-duty whip
- VSCRIP-60 60 qt. scraper
- VBOWL30-60 30 qt. bowl
- VSCRIP30-60 30 qt. scraper
- VHOOK30-60 30 qt. hook
- VBEAT30-60 30 qt. beater
- VWHIP30-60 30 qt. wire whip
- VWINGWHIP30-60 30 qt. wire whip
- VHDWHIP30-60 30 qt. heavy-duty whip
- XMCA-SS Meat grinder hub assembly
- XSVGH Slicer/Shredder housing
- XSP Slicing plate
- L00783 Strip cutter
- L00670 Meat tenderizer

Product	Attachment	Capacity
Egg Whites	Whip	3.1 qts.
Whipped Cream	Whip	12.6 qts.
Buttercream Frosting	Whip	25.3 qts.
Mashed Potatoes	Beater	70.5 lbs.
Cake Batter	Beater	66.1 lbs.
Dough (50% AR)	Hook	74.9 lbs.
Dough (60% AR)	Hook	88.2 lbs.
Dough (70% AR)	Hook	79.4 lbs.

Heavy-duty 60 qt. mixer with 3 HP motor and variable speed drive with agitator speed range from 53 to 288 RPMs. #12 attachment hub with 198 RPM speed. Stainless steel top cover, bayonet shaft and bowl guard. Non-stainless steel surfaces powder coated finish. Front-mounted controls with 90-minute digital timer. Bowl lowering lever with hydraulic damper. Permanently lubricated planetary head and attachment hub case. 6 ft. cord. Mixer is IP32 rated with ETL and NSF certification. Four-year parts and labor limited warranty.