

V-Series 60 Qt. Marine Mixer

The kitchen workhorse, for a wide range of heavy-duty mixing applications.



MODELS

- V60M** 60 qt. Marine Mixer

STANDARD FEATURES

- IP44 rated and USPHS compliant
- Stainless steel construction
- Powerful 3 HP motor with variable speed drive and agitator speed range from 53 RPMs to 288 RPMs
- No bowl adapters required for down-sizing bowls
- Front-mounted controls with 90-minute digital timer and emergency stop
- #12 attachment hub with 198 RPM speed
- High torque transmission
- Grease lubricated, anti-friction ball bearings
- Removable bowl guard with patent-pending interlock
- Water cover at air ventilation
- Screws without slots to ensure sanitation
- Fully welded stainless steel knees
- Gasket at front panel, top cover and back cover
- Patent-pending interlock prevents operation if bowl guard is opened or bowl is lowered
- Overload protection and no volt release
- Non-skid rubber feet
- 6 foot cord
- ETL and NSF listed
- Made in Denmark

STANDARD ACCESSORIES

- Stainless steel bowl
- Stainless steel flat beater
- Stainless steel wire whip
- Stainless steel dough hook

WARRANTY

- Two-year parts and labor limited warranty

OPTIONAL ACCESSORIES/ATTACHMENTS

- 30 qt. bowl and attachments
- Stainless steel model
- Bowl scraper

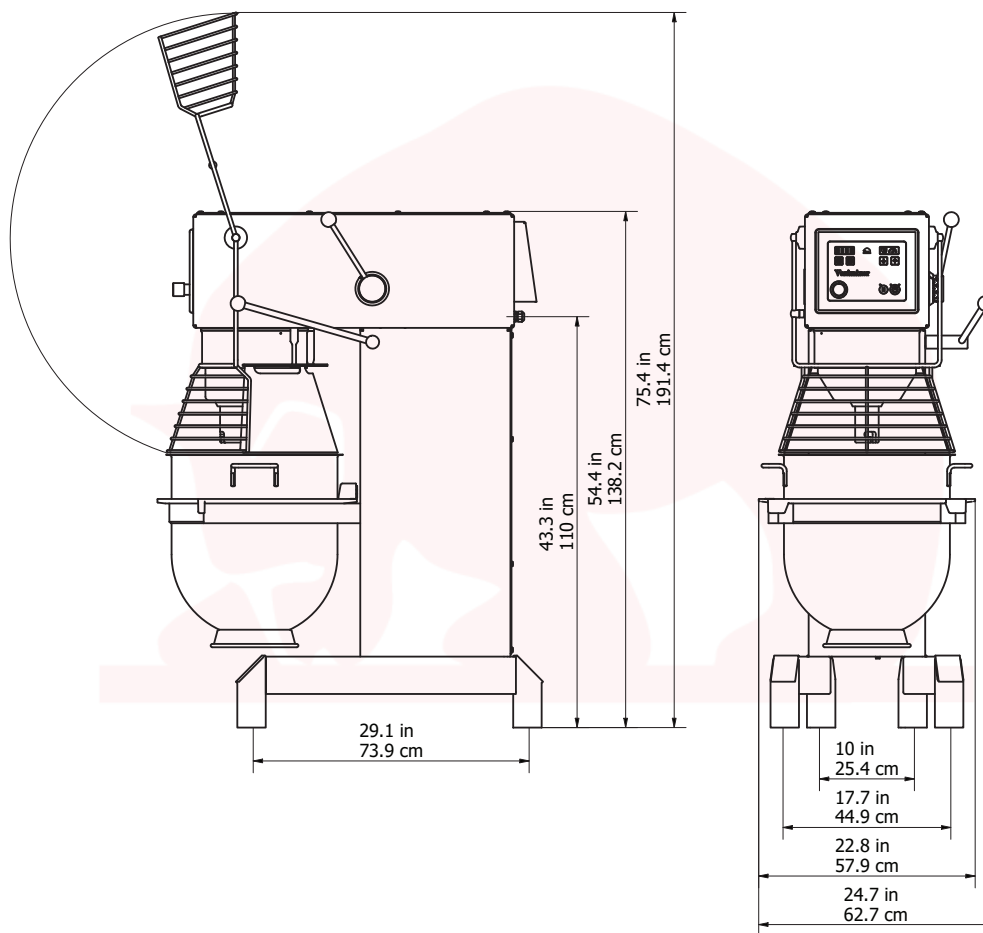
To select options see back

Approved by: _____

Date: _____



ETL listed
Conforms to UL Std 763
Certified to CSA Std C22.2 No. 195



SPECIFICATIONS

| Model | Motor | Volts | Amp | Plug Type | Mixing Speeds | Hub Speeds | IP Rating |
|-------|-------|----------|-----|-----------|---------------|------------|-----------|
| V60M | 3 HP | 208/60/3 | 6.4 | -- | 53 - 288 RPMs | 198 RPMs | IP44 |

Specify voltage when ordering.

DIMENSIONS | SHIPPING INFORMATION

Reinforced carton for shipping. This product ships on a pallet. See dimensions below.

| Model | Overall Dimensions | Net Wt. | Shipping Dimensions | Ship Wt. | Freight Class |
|-------|--|----------------------|---|-------------------------|-----------------|
| V60M | 24.7" W x 40.5" D x 54.4" H (62.7 cm x 102.8 cm x 138.2 cm) | 606 lbs. (275 kg) | 32" W x 49" D x 70" H (81.28 cm x 124.4 cm x 177.8 cm) | 707 lbs. (320.69 kg) | 85 64 CU ft. |

OPTIONAL/ADDITIONAL ACCESSORIES

- | | |
|--|--|
| <input type="checkbox"/> VTRUCK-60 Bowl truck | <input type="checkbox"/> VWHIP-30 30 qt. wire whip |
| <input type="checkbox"/> VWINGWHIP-60 60 qt. wire whip | <input type="checkbox"/> VWINGWHIP30-60 30 qt. wire whip |
| <input type="checkbox"/> VSCRP-60 60 qt. scraper | <input type="checkbox"/> XMCA-SS Meat grinder hub assembly |
| <input type="checkbox"/> VBOWL30-60 30 qt. bowl | <input type="checkbox"/> XSVGH Slicer/Shredder housing |
| <input type="checkbox"/> VSCRP-30 30 qt. scraper | <input type="checkbox"/> XSP Slicing plate |
| <input type="checkbox"/> VHOOK30-60 30 qt. hook | <input type="checkbox"/> L00783 Strip cutter |
| <input type="checkbox"/> VBEAT30-60 30 qt. beater | <input type="checkbox"/> L00670 Meat tenderizer |

| Product | Attachment | V60M |
|----------------------|---------------|---------|
| Bread Dough (65% AR) | Hook | 90 lbs. |
| Pizza Dough (50% AR) | Hook | 75 lbs. |
| Mashed Potatoes | Whip / Beater | 46 lbs. |
| Whipped Cream | Whip | 12 qts. |
| Pancake Batter | Whip / Beater | 28 qts. |
| Cookie Dough | Beater / Hook | 50 lbs. |

Heavy-duty 60 qt. mixer with 3 HP motor and variable speed drive with agitator speed range from 53 to 288 RPMs. IP44 rated and USPHS compliant. #12 attachment hub with 198 RPM speed. Stainless steel construction. Water cover at air ventilation and non-slotted screws. Front-mounted controls with 90-minute digital timer. Bowl lowering lever with hydraulic damper. Watertight, permanently lubricated planetary head and attachment hub case. 6 ft. cord. Mixer is ETL and NSF certified. Two-year parts and labor limited warranty.